

Installation/Operating Instructions Apex Projection Screen by Draper

Caution

- ① Read instructions through completely before proceeding.
- ② Follow instructions carefully. Installation contrary to instructions invalidates warranty.
- ③ Entire bottom of screen case should be unobstructed to permit access to bottom panel for servicing.
- ④ Screen should be installed level (using a carpenter's level).
- ⑤ Nothing should be fastened to screen dowel or viewing surface.

NOTE: Screen has been thoroughly inspected and tested at factory and found to be operating properly prior to shipment.

Operating Instructions

Using the pull handle, operate the screen up and down several times to insure smooth operation and secure installation.

To lower viewing surface, pull screen down. Hesitate—then allow screen to retract very slowly until it locks in place.

To raise viewing surface, pull down slightly, then raise quickly, as you would a window shade. Keep control of the viewing surface. Do not allow it to roll uncontrolled into the case, or damage is sure to result.

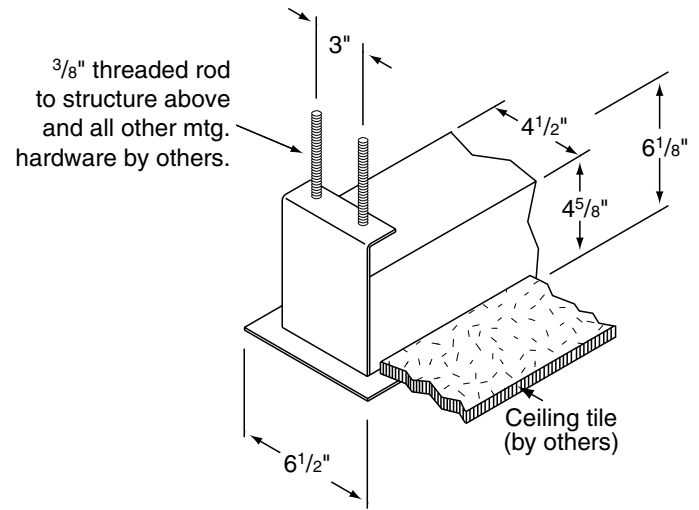
Hanging Screen

When locating viewing surface and checking clearance for screen's operation, remember surface is centered in the length of the case.

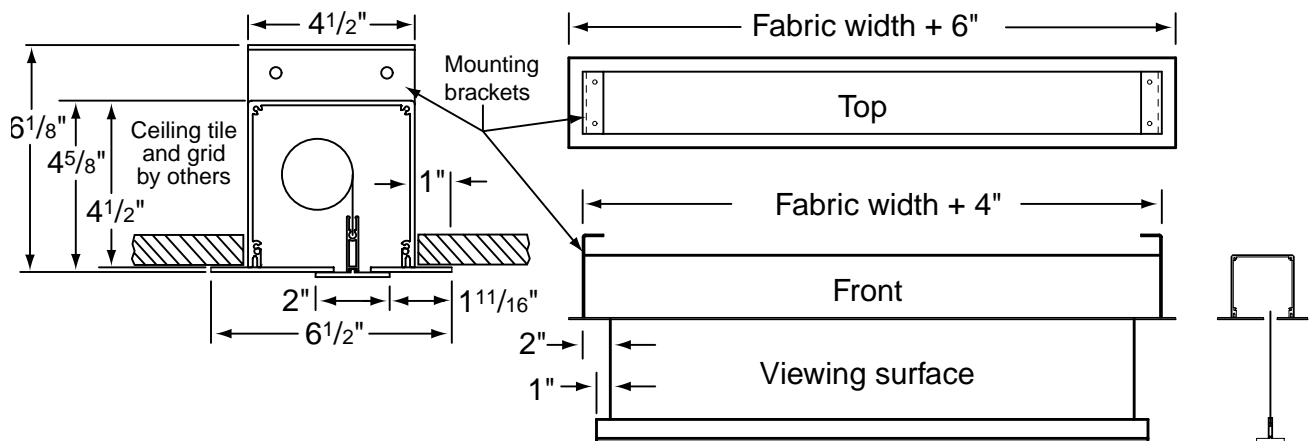
Regardless of mounting method used, the following points apply:

- ① Screen should be positively and securely supported so that vibration or even abusive pulling on viewing surface will not weaken installation.
- ② Installer must insure that fasteners used are of adequate strength and suitable for the mounting surface chosen. Supporting hardware (chains, cables, rods, etc.) must be essentially vertical.
- ③ Entire bottom of case must be readily accessible after installation is complete.
- ④ Front, back and top of case must be straight—not forced to warp or bow.
- ⑤ If case is painted, slot on bottom of case should be shielded to protect viewing surface from paint splatters or overspray.
- ⑥ Do not seal unit in ceiling until screen has been operated successfully.

Suggested mounting options: with threaded rod through $\frac{3}{8}$ " holes in hanging brackets at ends of case; with lag screws through endcap bracket; or with wire or chain in a grid ceiling. Mounting hardware supplied by others.



Case Dimensions



DRAPER

411 S. Pearl St., Spiceland, IN 47385 USA ■ 765-987-7999 ■ fax 765-987-7142
e-mail draper@draperinc.com ■ www.draperinc.com

Copyright © 2004 Draper Inc.

Form Apex_Inst04

Printed in U.S.A.

If you encounter any difficulties installing or servicing your Apex screen, call your dealer or Draper, Inc., in Spiceland, Indiana, 765/987-7999, fax 765/987-7142, or e-mail draper@draperinc.com.